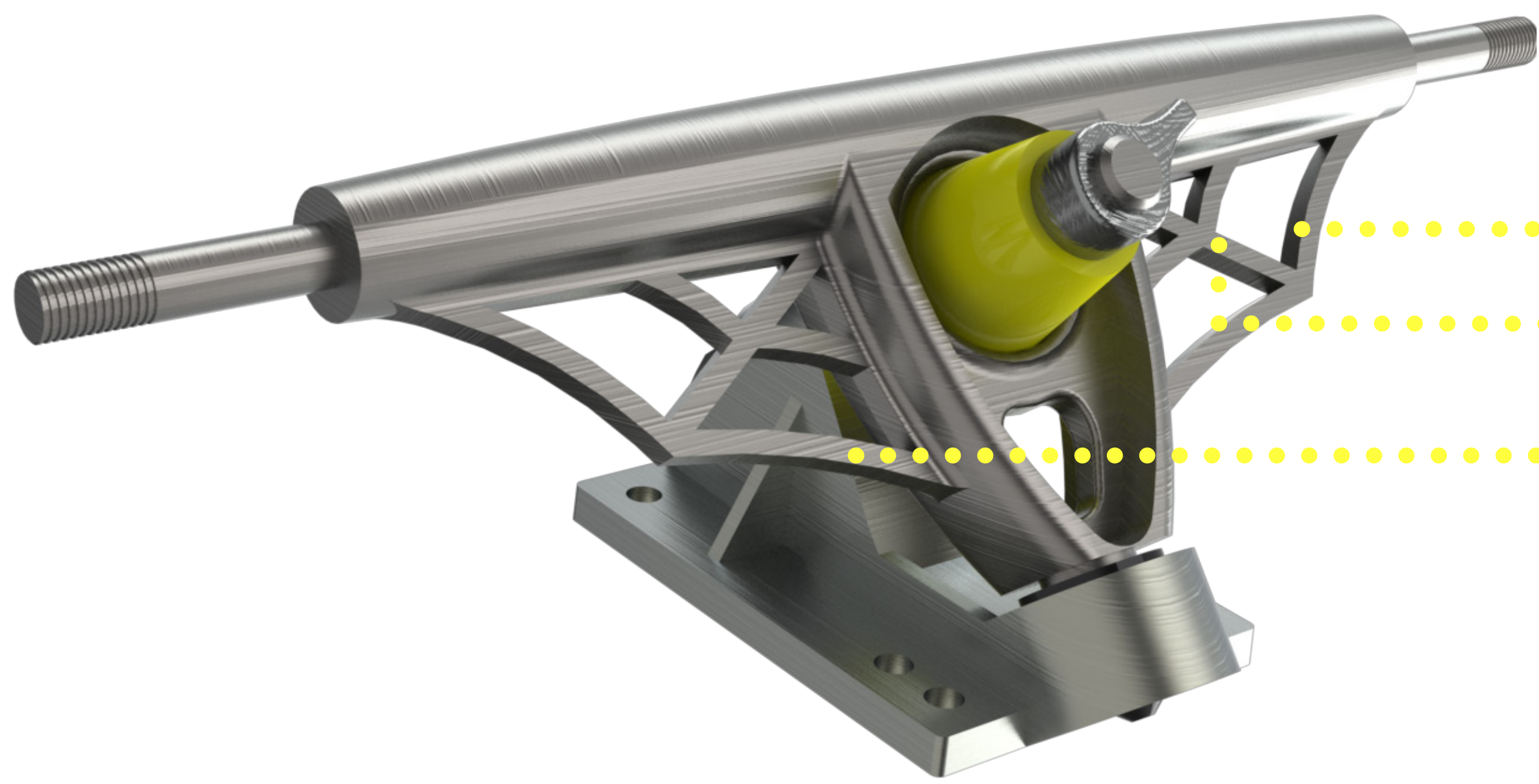


# Spider Trucks



## Stable and strong structure

Titanium alloy hanger  
Two times stronger and lighter than steel



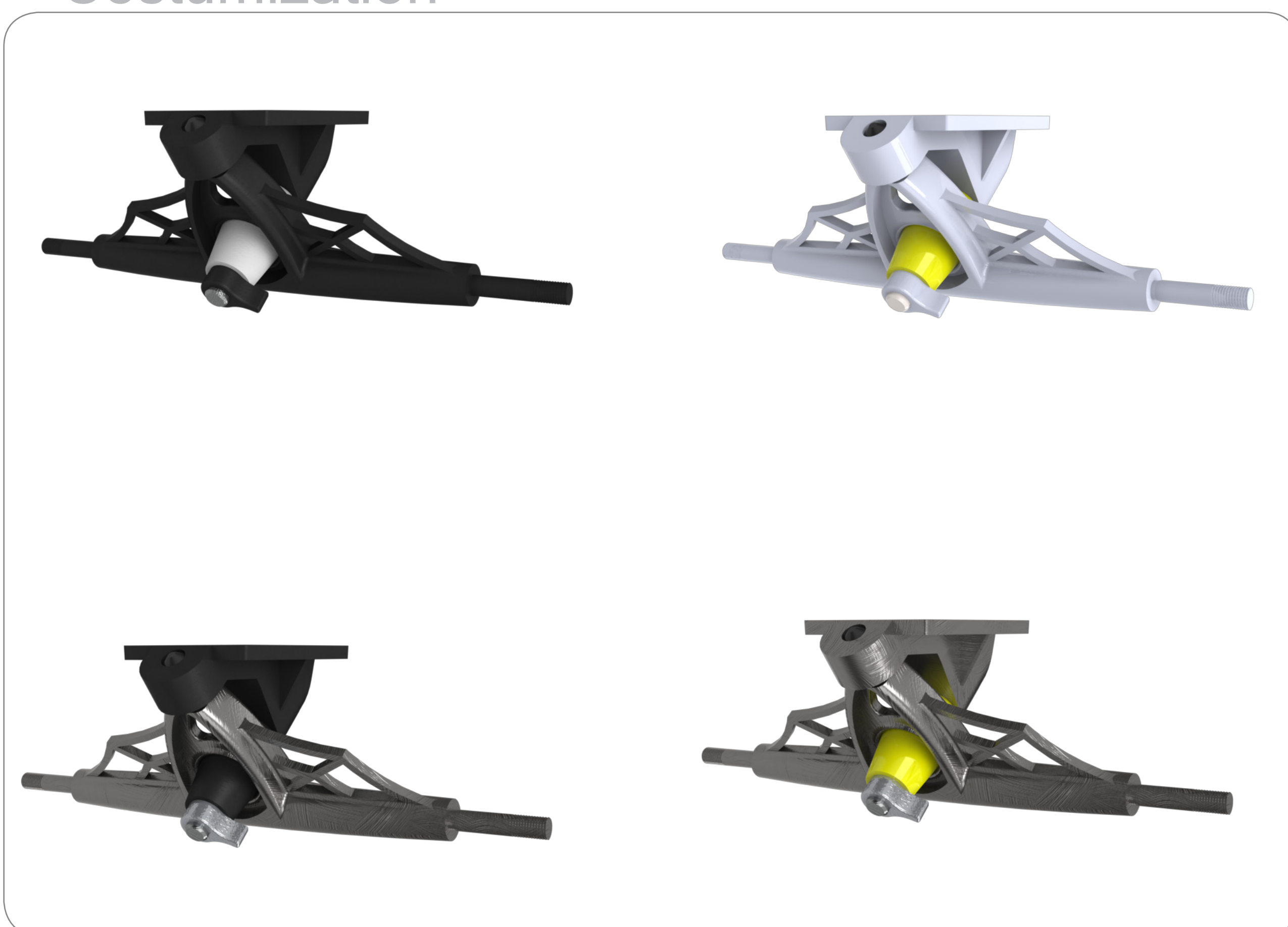
## Easy to adjust

Loose and tight the king pin  
No mounting tool needed

## 'Shocking' aesthetics

Spider web inspiration

### Customization



The Spider Trucks are standard all round truck, available with a 40 degree baseplate. If going fast is your thing, this baseplate will offer more stability at higher speeds. The titanium assamble of axles and hanger make the trucks twice stronger than the usual ones which will keep you safe whatever hill you are riding. If speed and unique style is what you want, then this is what you have to try.

