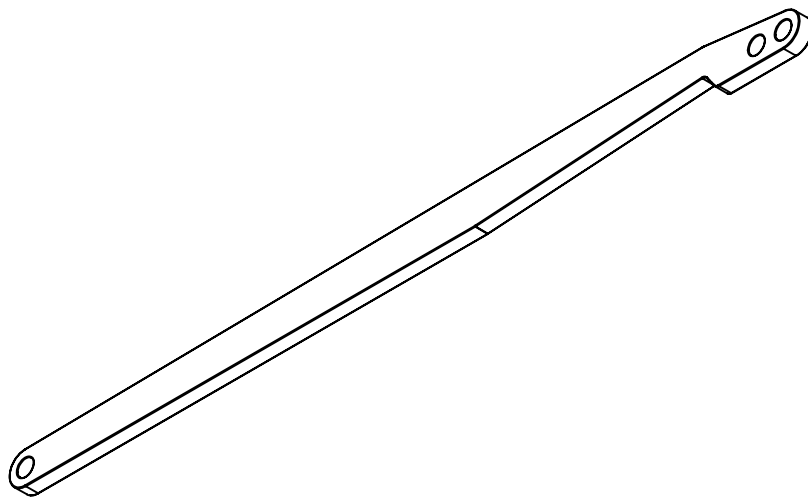
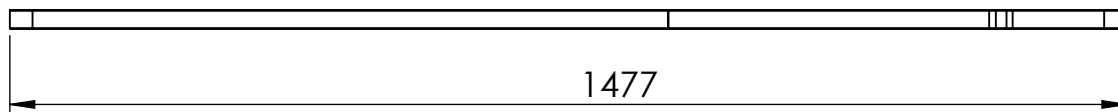
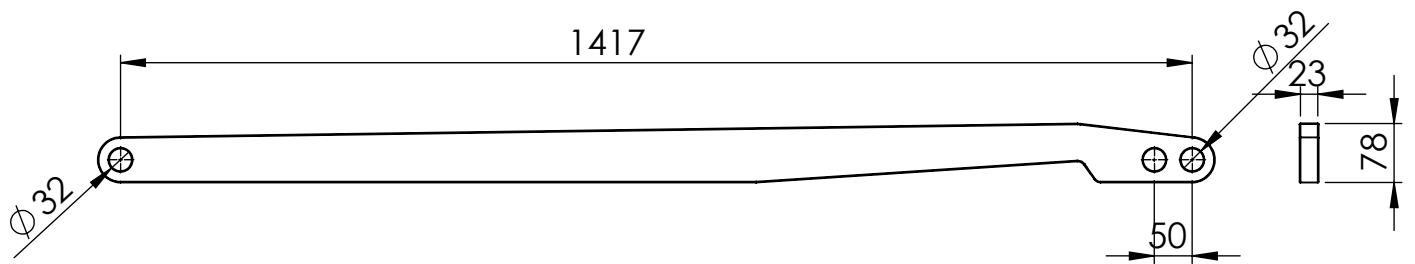
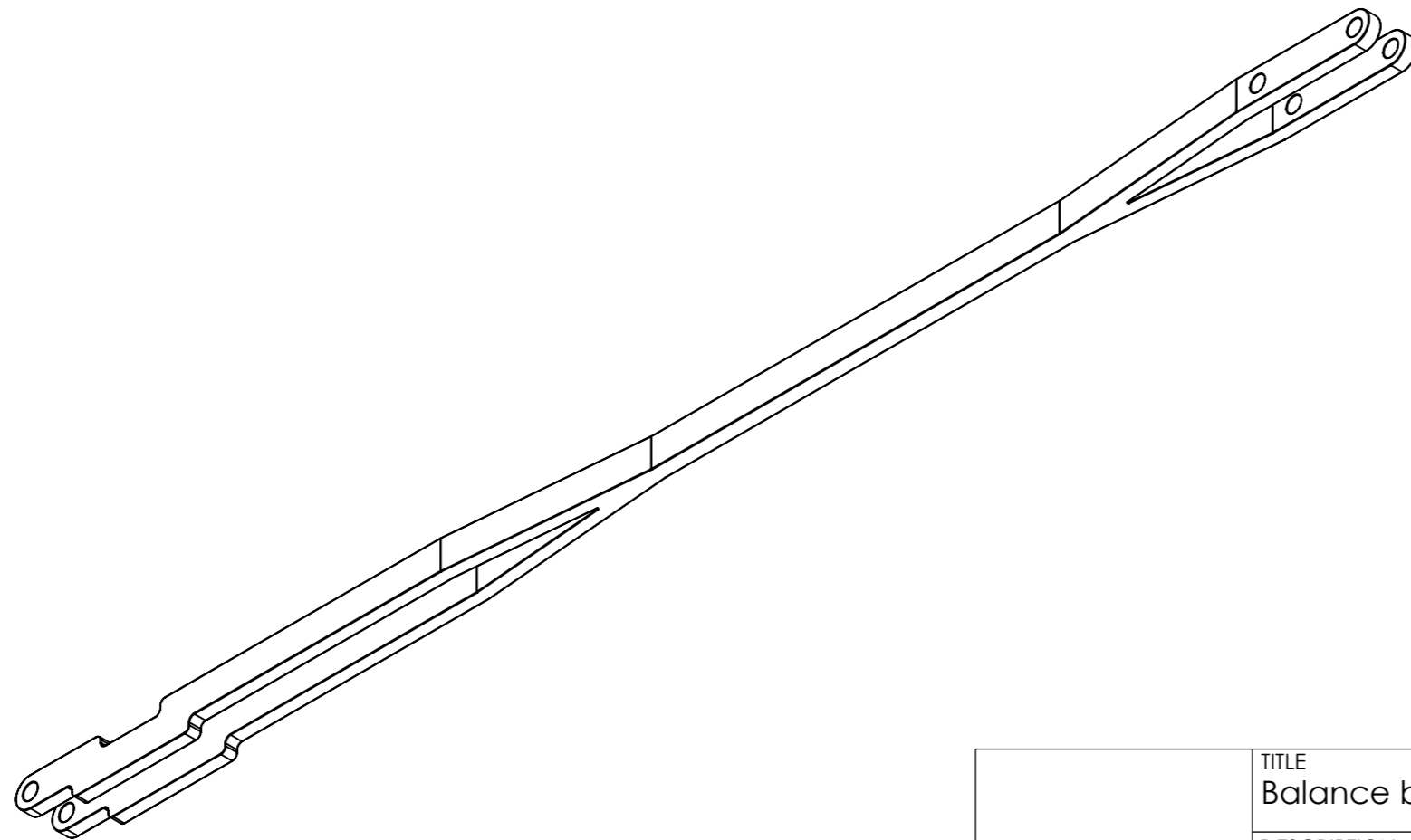
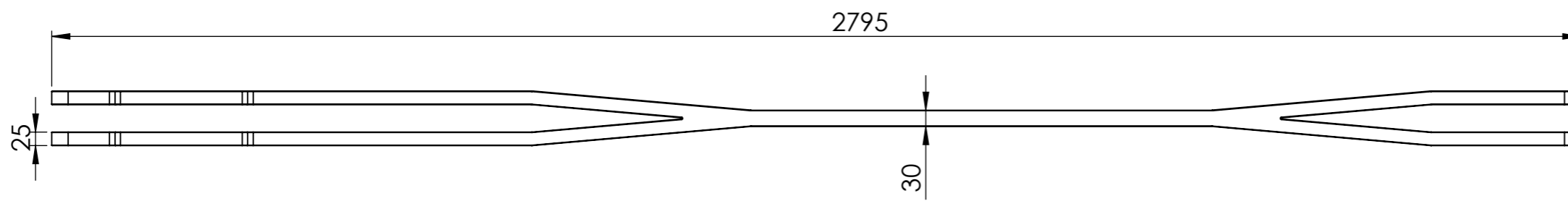
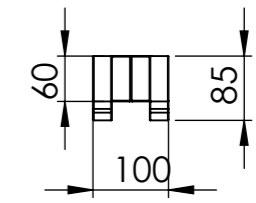
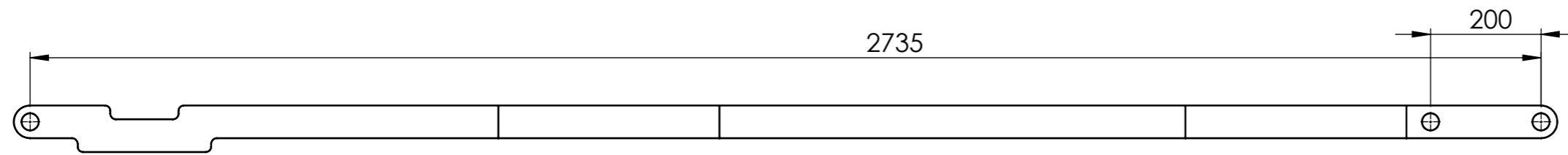


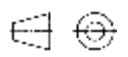
ITEM NO.	PART NAME	QTY.	Dr. No.
1	Loadbearing beam 1	2	01
2	Balance beam 1	2	04
3	Balance beam 2	1	05
4	Loadbearing beam 2	2	03
5	Tandem beam	4	14
6	Loadbearing beam 3	2	02
7	Balance beam 3	2	06
9	Piston - Outside	4	10
10	Piston - Inside	4	09
11	Knee 2	1	08
12	Connector 3	4	13
13	Connector 1	2	11
14	Connector 2	2	12
15	Knee 1	1	07

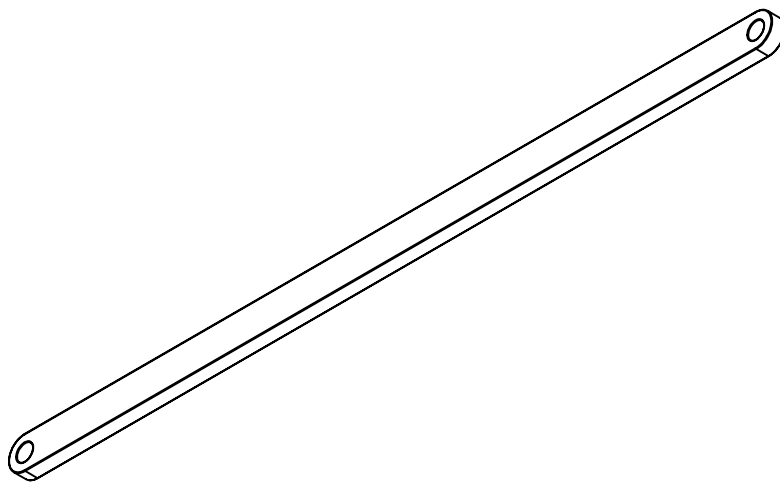
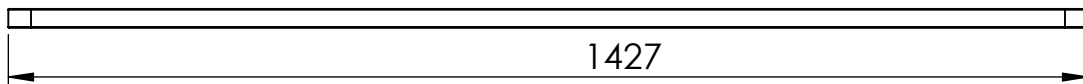
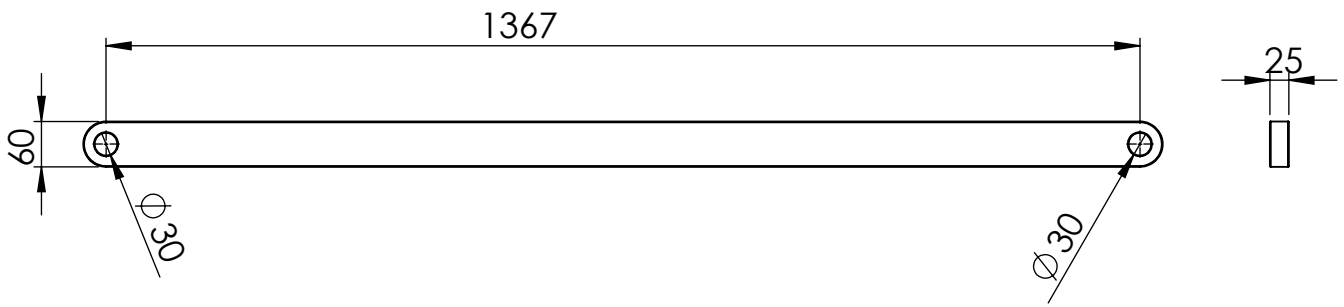
JARNGERDUR	TITLE GENERAL ASSEMBLY - CRANE			
	DESCRIPTION Crane assembly	DATE 27/05/2014	SCALE 1:10	
	MATERIAL MATERIAL	SHEET SIZE A3	DRAWING NO. 00	
				1 OF 1



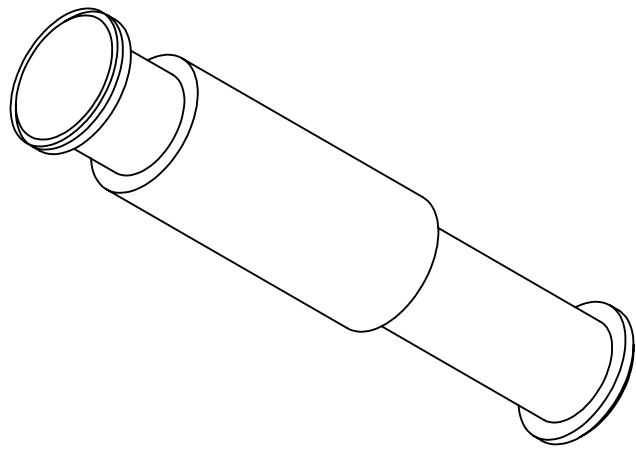
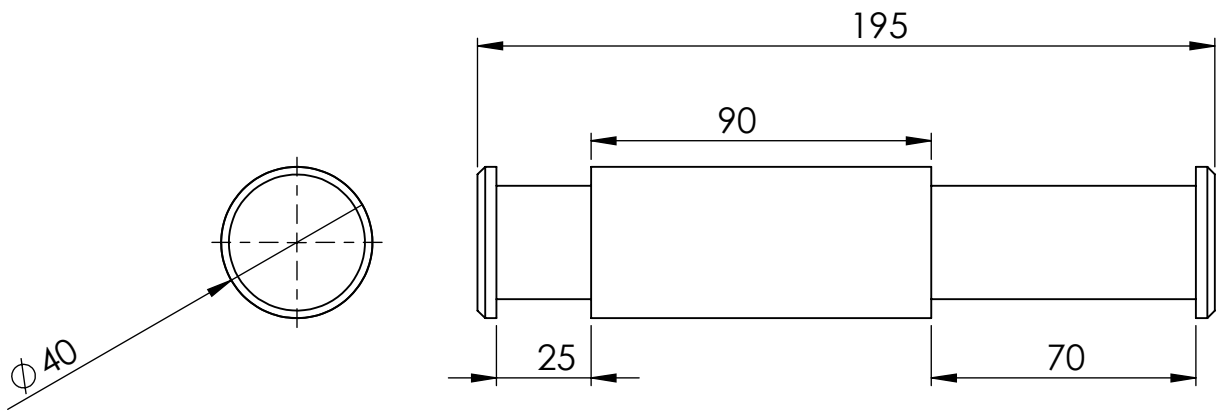
JARNGERDUR	TITLE Balance beam 1			
	DESCRIPTION Lowest balance beam	DATE 27/05/2014	SCALE 1:10	
	MATERIAL Alloy Steel	SHEET SIZE A3	DRAWING NO. 04	1 OF 1

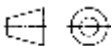


JARNGERDUR	TITLE Balance beam 2			
	DESCRIPTION Middle balance beam	DATE 27/05/2014	SCALE 1:10	
	MATERIAL Alloy Steel	SHEET SIZE A3	DRAWING NO. 05	

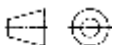


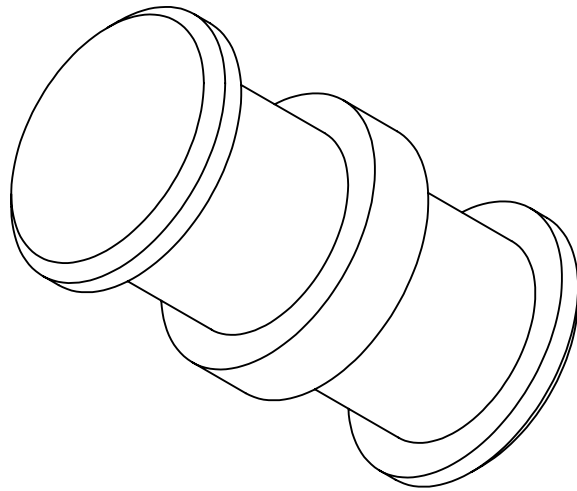
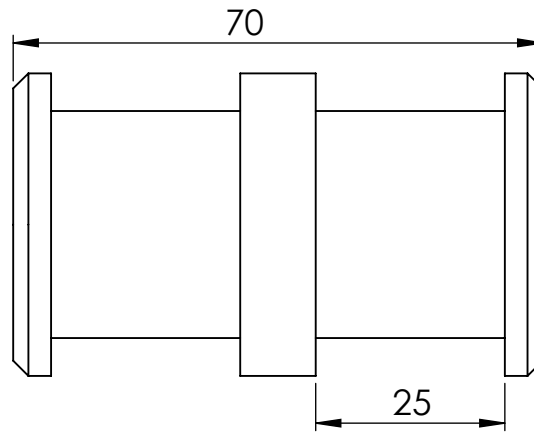
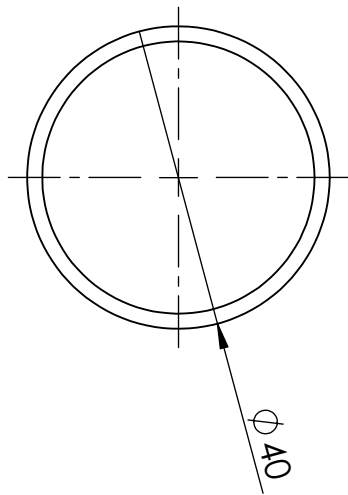
JARNGERDUR	TITLE Balance beam 3			
	DESCRIPTION Topmost balance beam	DATE 27/05/2014	SCALE 1:10	
	MATERIAL Alloy Steel	SHEET SIZE A3	DRAWING NO. 06	1 OF 1

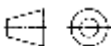


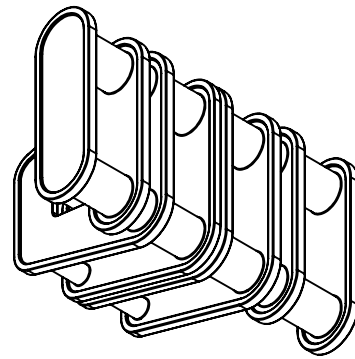
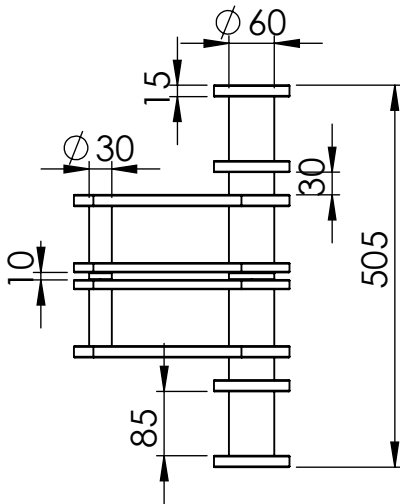
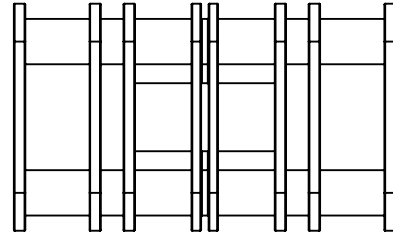
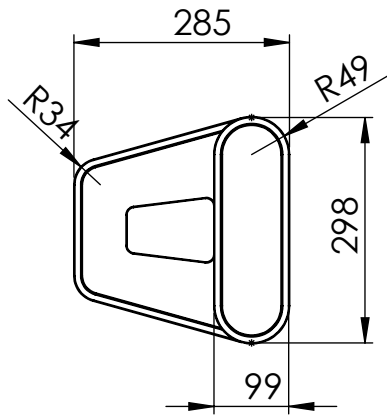
JARNGERDUR	TITLE Connector 1			
	DESCRIPTION Tandem beam connector1 in knee 2	DATE 27/05/2014	SCALE 1:2	
	MATERIAL Alloy Steel	SHEET SIZE A3	DRAWING NO. 11	1 OF 1

JARNGERDUR

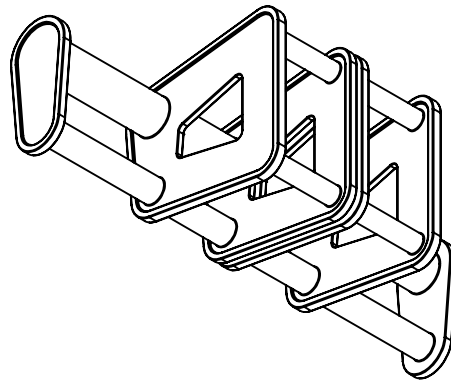
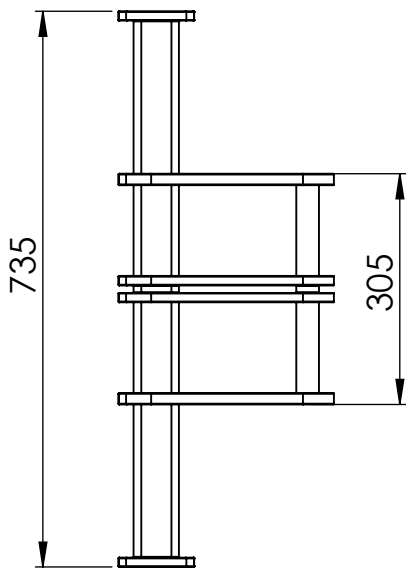
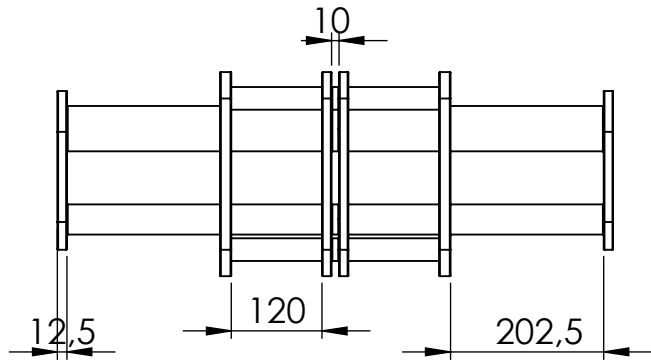
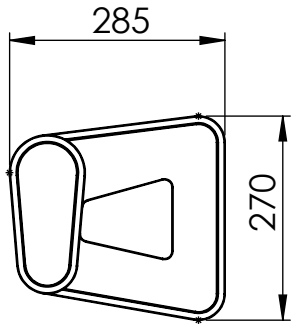
TITLE Connector 2			
DESCRIPTION Tandem beam connector 2 in knee 2	DATE 27/05/2014	SCALE 1:1	
MATERIAL Alloy Steel	SHEET SIZE A3	DRAWING NO. 12	1 OF 1



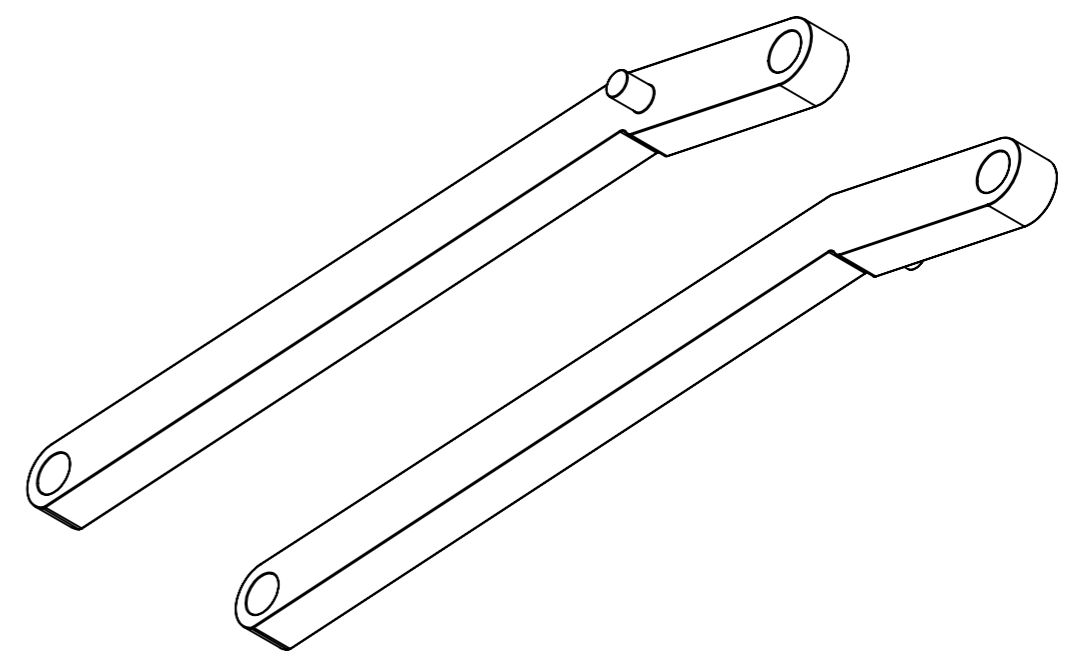
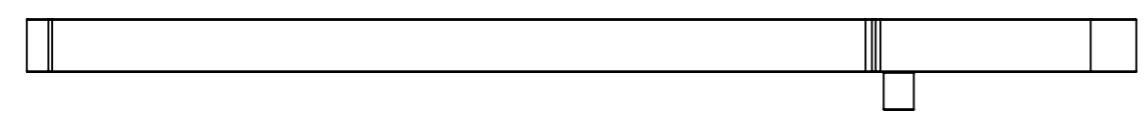
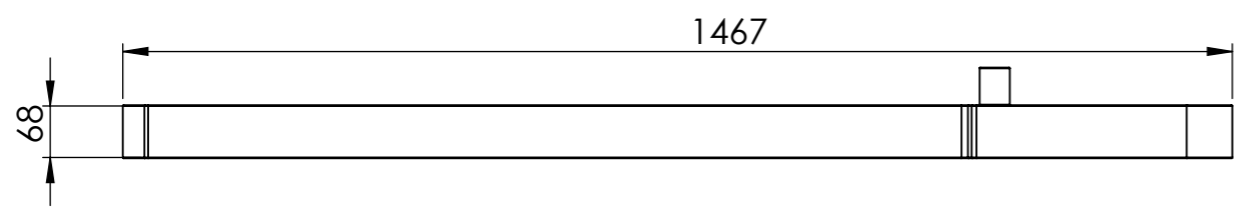
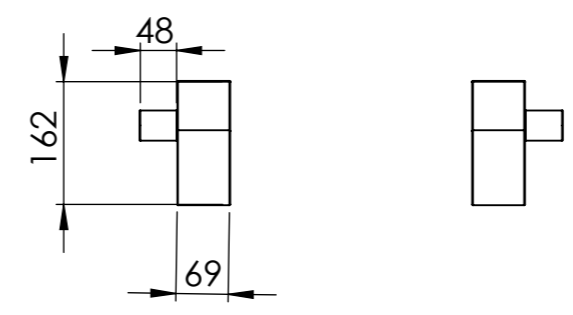
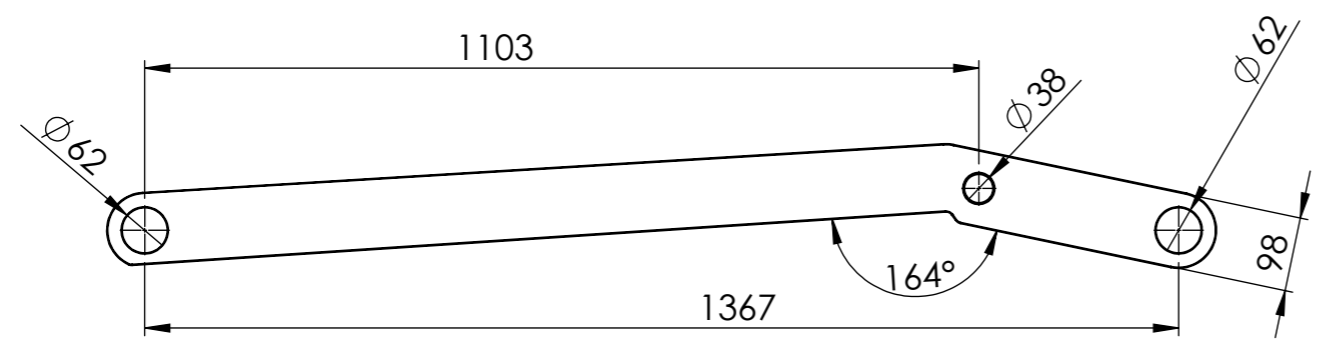
JARNGERDUR	TITLE Connector 3			
	DESCRIPTION Tandem beam connector in knee 1	DATE 27/05/2014	SCALE 1:1	
	MATERIAL Alloy Steel	SHEET SIZE A3	DRAWING NO. 13	1 OF 1



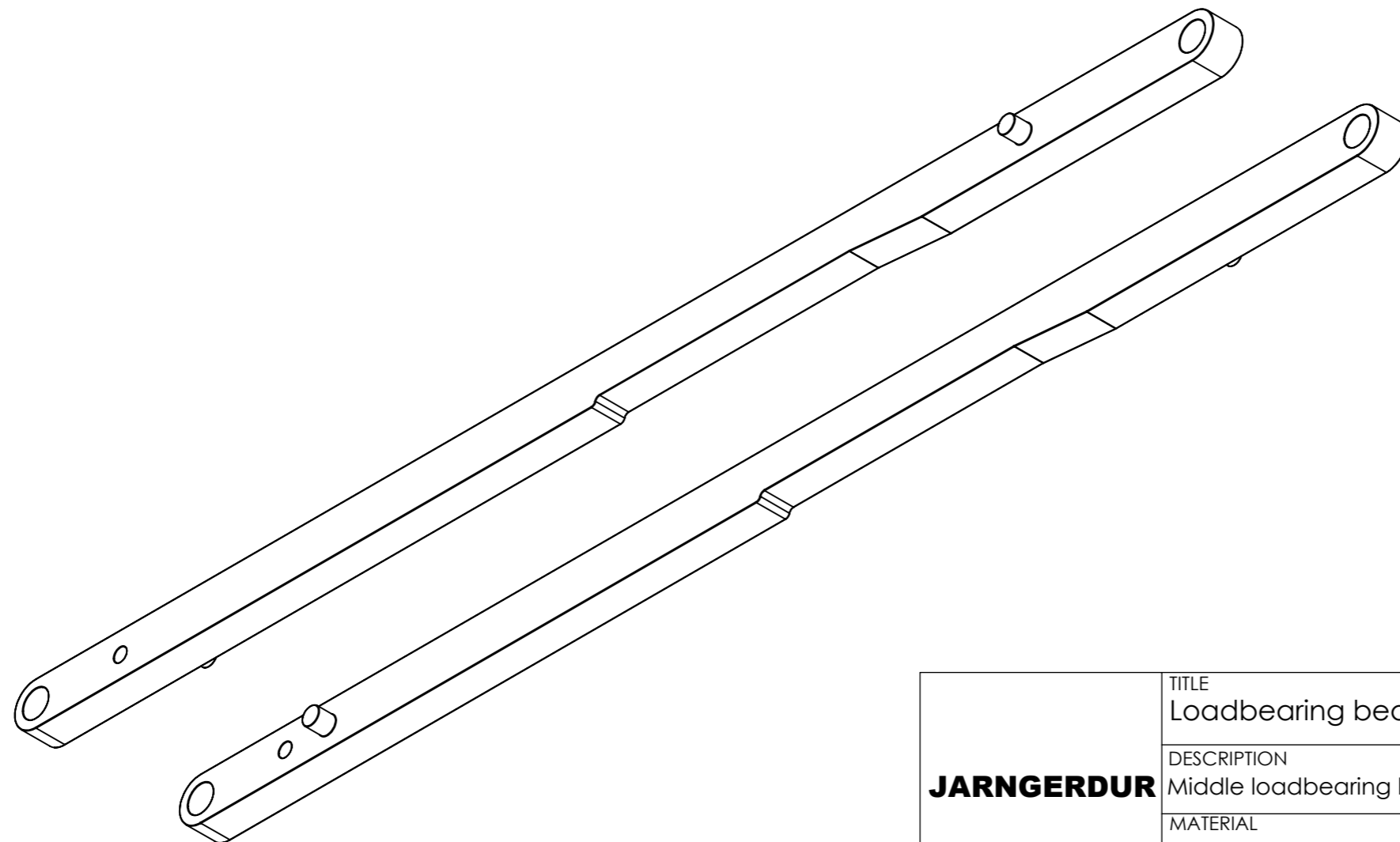
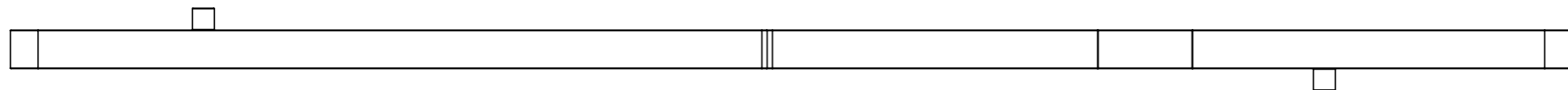
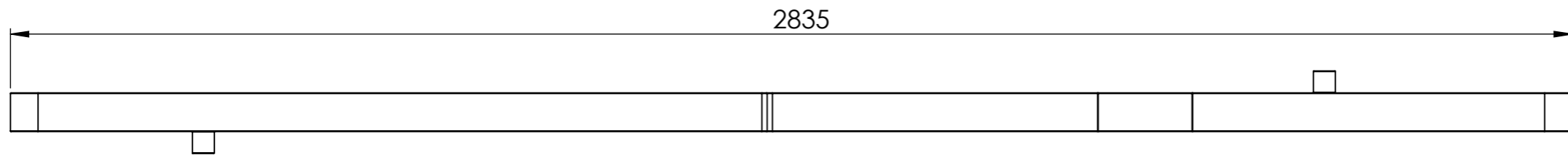
JARNGERDUR	TITLE Knee 1			
	DESCRIPTION Lower knee	DATE 27/05/2014	SCALE 1:10	
	MATERIAL Alloy Steel	SHEET SIZE A3	DRAWING NO. 06	1 OF 1

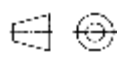


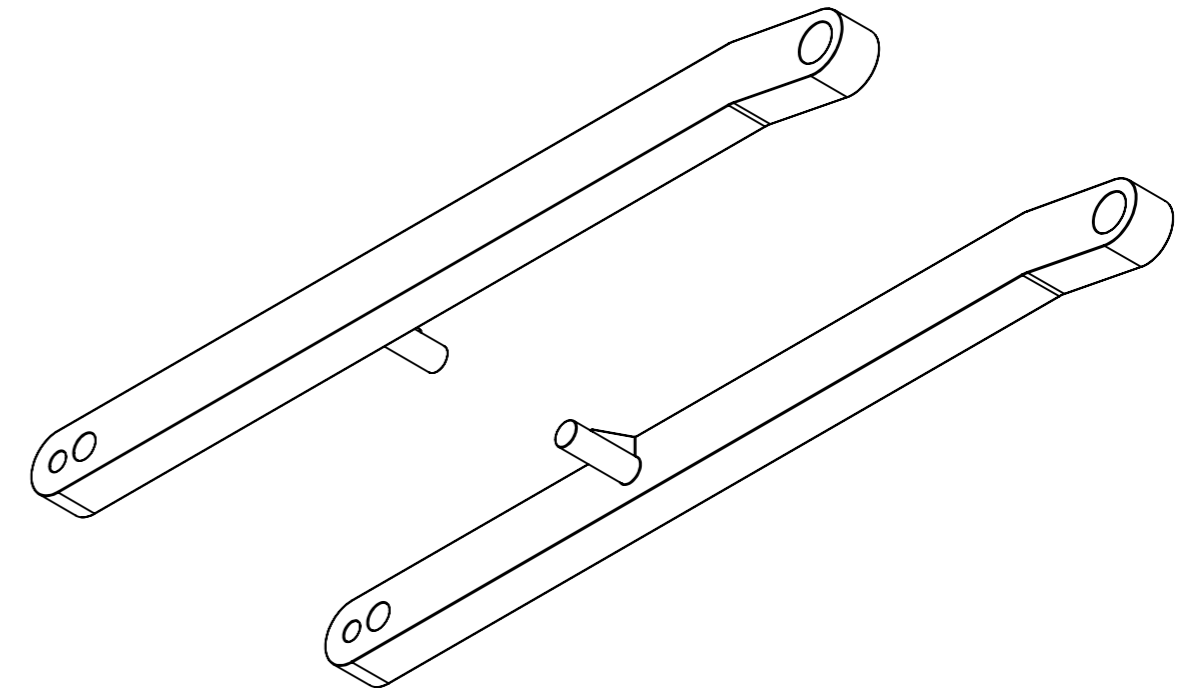
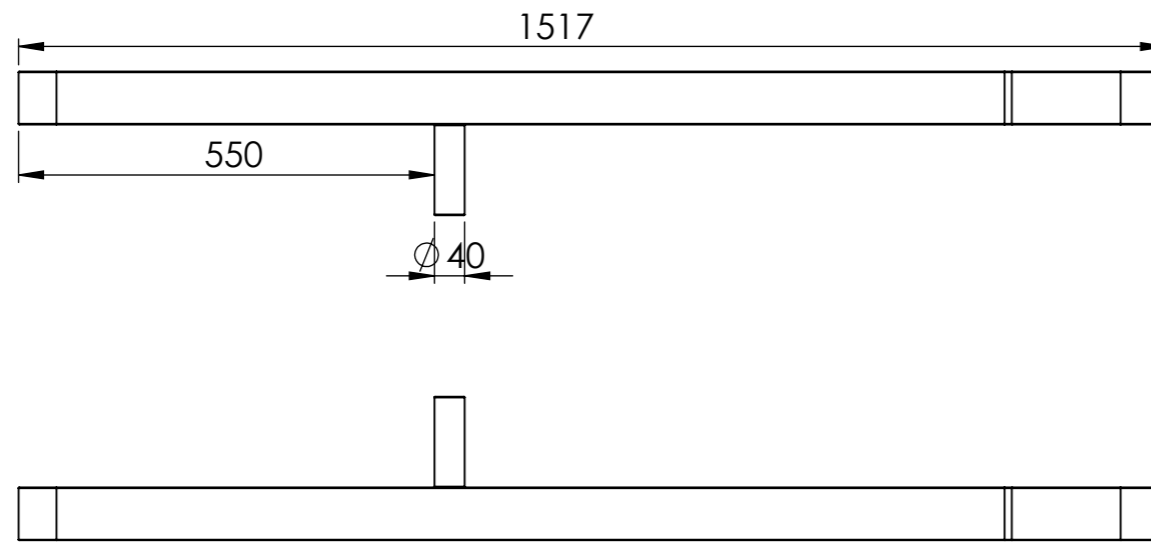
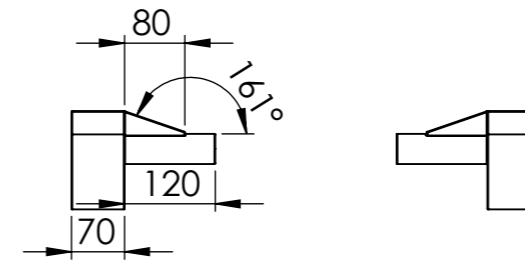
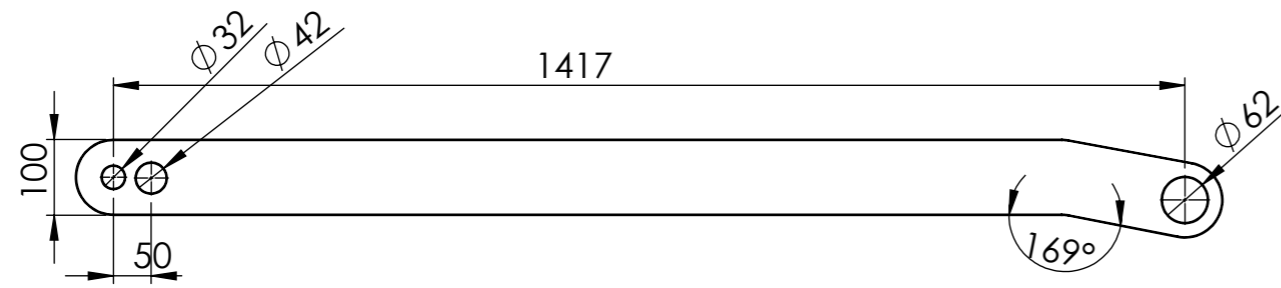
JARNGERDUR	TITLE Knee 2			
	DESCRIPTION Higher knee	DATE 27/05/2014	SCALE 1:10	
	MATERIAL Alloy Steel	SHEET SIZE A3	DRAWING NO. 08	
			1 OF 1	



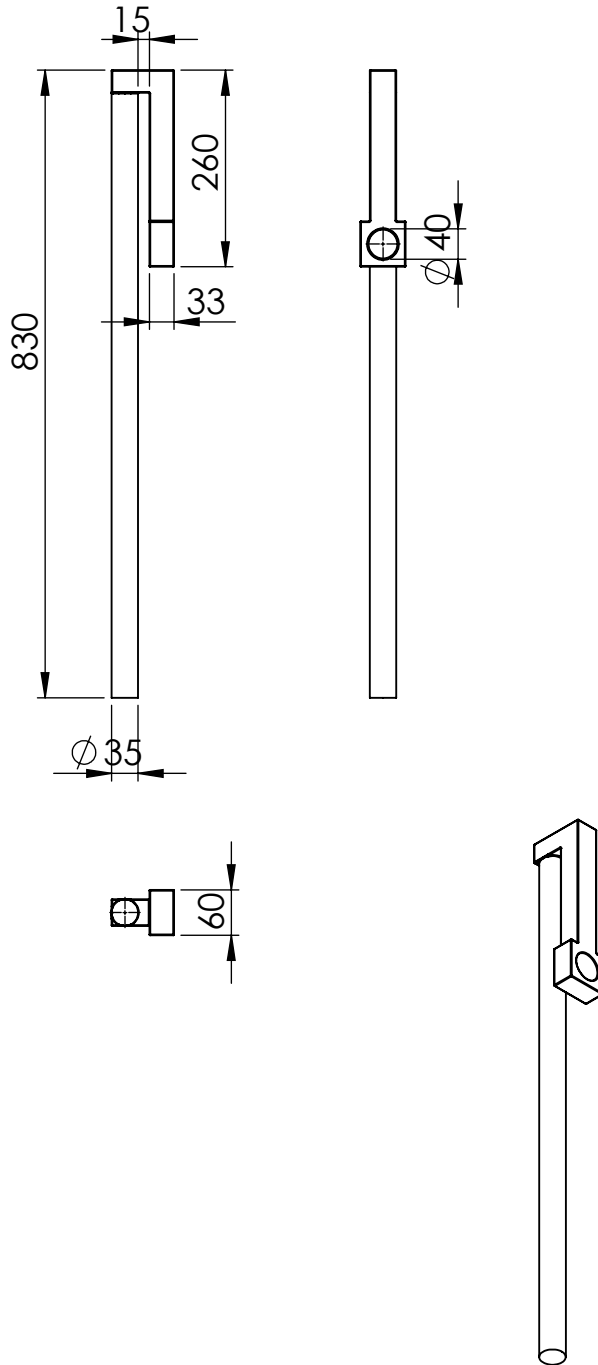
JARNGERDUR	TITLE Loadbearing beams 1			
	DESCRIPTION Lowest loadbearing beams	DATE 27/05/2013	SCALE 1:10	
	MATERIAL Alloy Steel	SHEET SIZE A3	DRAWING NO. 01	



JARNGERDUR	TITLE Loadbearing beams 2			
	DESCRIPTION Middle loadbearing beams	DATE 27/05/2014	SCALE 1:10	
	MATERIAL Alloy Steel	SHEET SIZE A3	DRAWING NO. 03	



JARNGERDUR	TITLE LOADBEARING BEAMS 3			
	DESCRIPTION Topmost loadbearing beams	DATE 27/05/2014	SCALE 1:10	
	MATERIAL ALLOY STEEL	SHEET SIZE A3	DRAWING NO. 07	
			DRAWING NO. 07	1 OF 1



JARNGERDUR

TITLE
Piston - Inside

DESCRIPTION
Inside part of piston

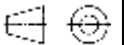
MATERIAL
Alloy Steel

DATE
27/05/2014

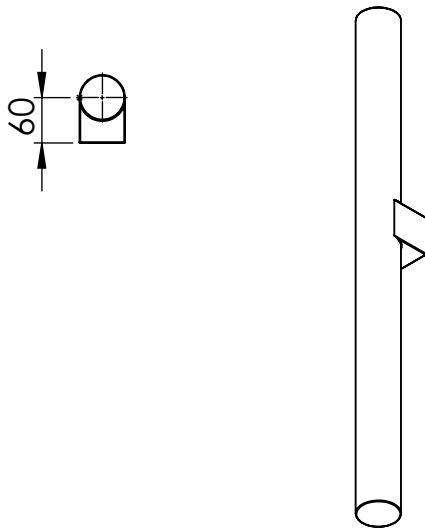
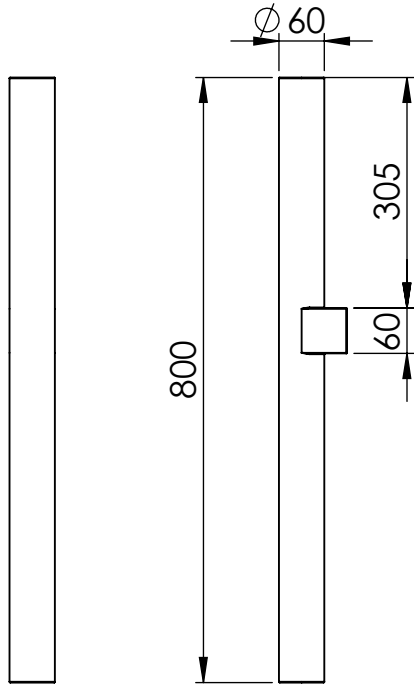
SHEET SIZE
A3

SCALE
1:10

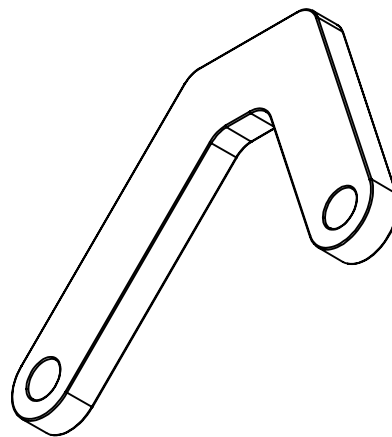
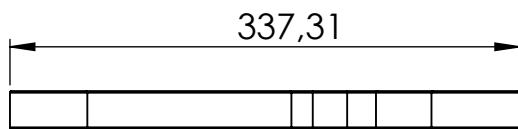
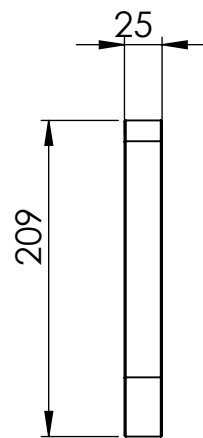
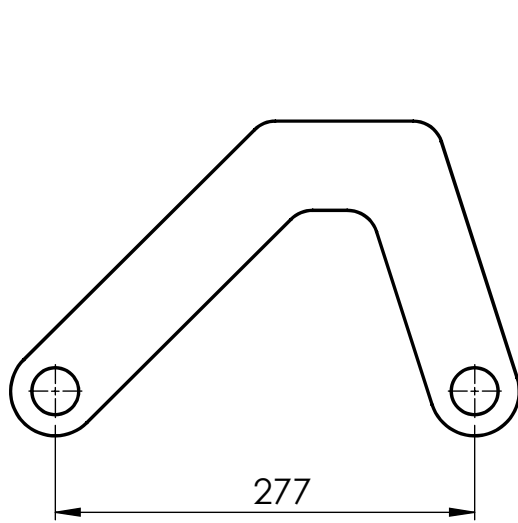
DRAWING NO.
09

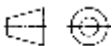


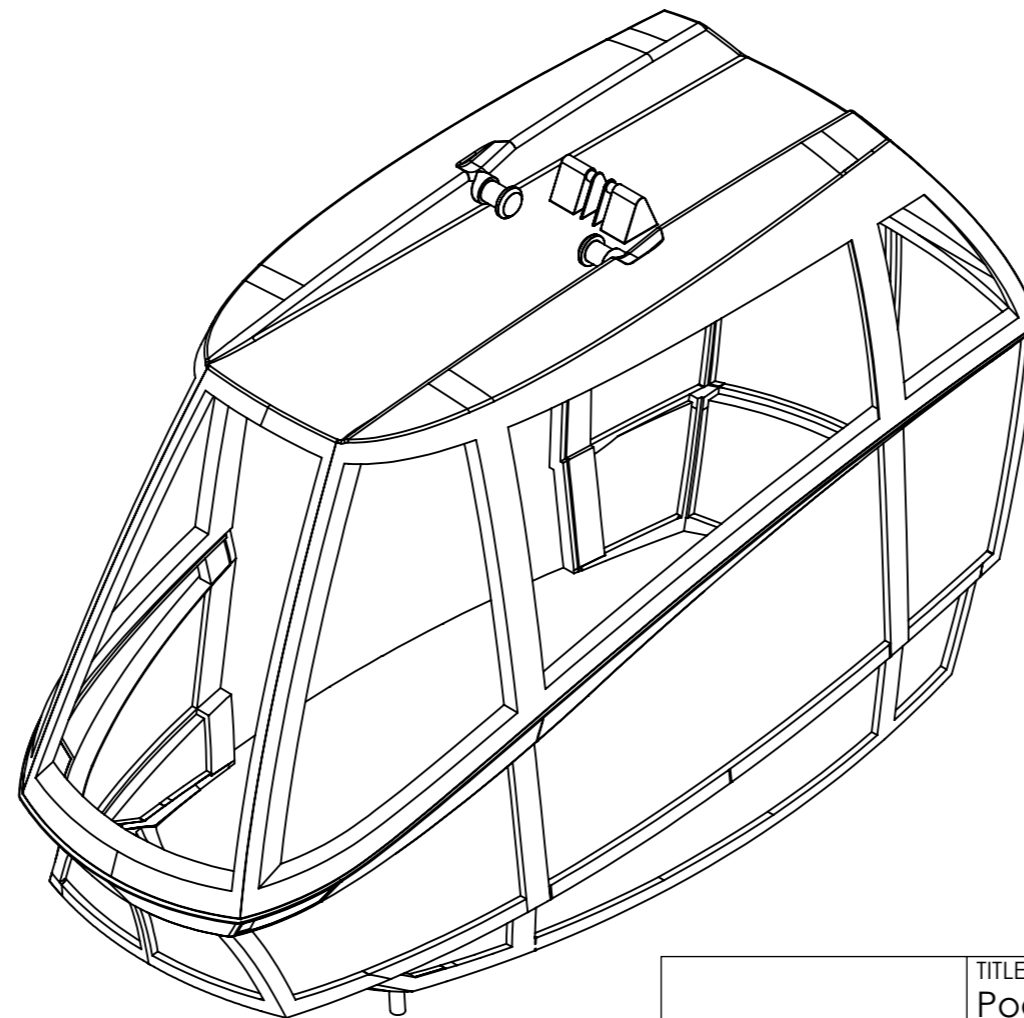
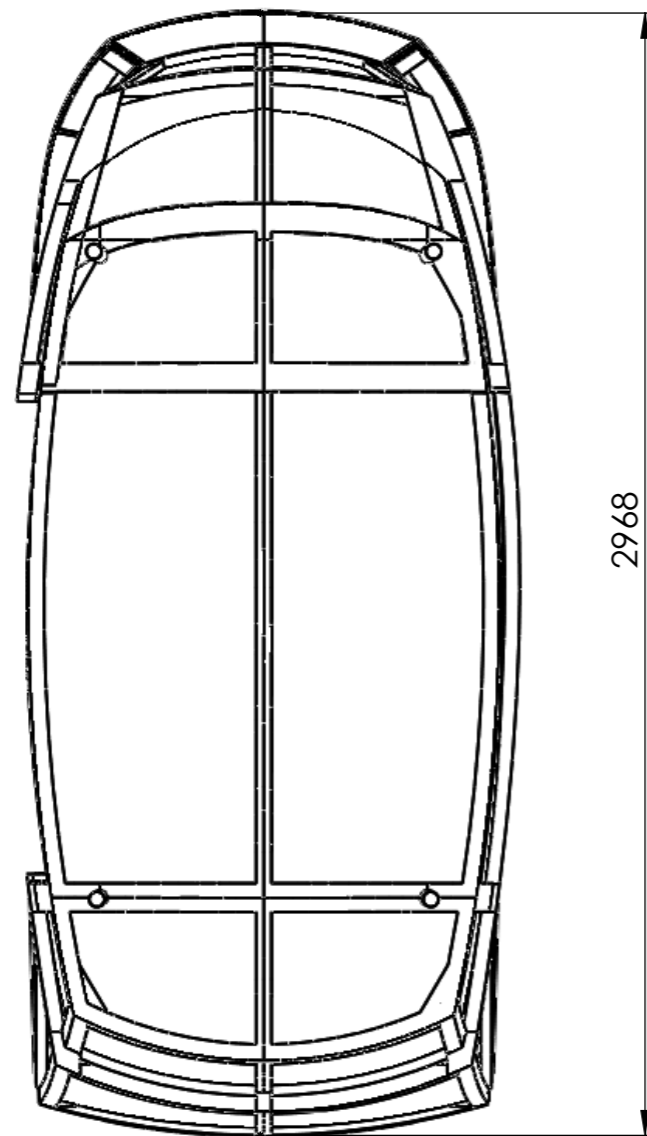
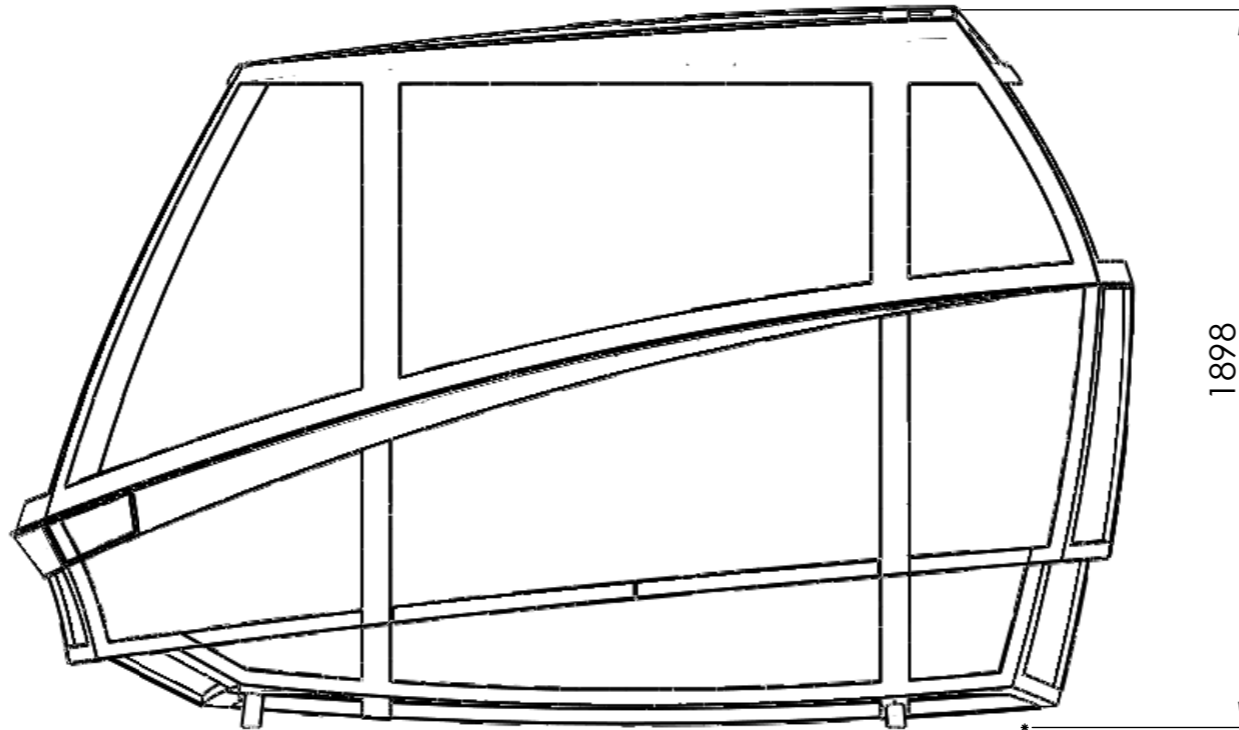
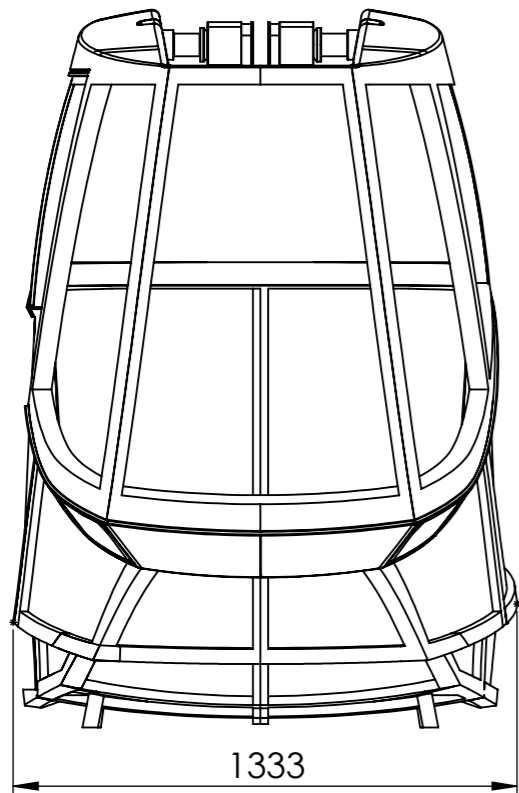
1 OF 1



JARNGERDUR	TITLE Piston - outside			
	DESCRIPTION Outside part of piston	DATE 27/05/2014	SCALE 1:10	
	MATERIAL Alloy Steel	SHEET SIZE A3	DRAWING NO. 10	1 OF 1



JARNGERDUR	TITLE Tandem beam			
	DESCRIPTION Tandem beam in both knees	DATE 27/05/2014	SCALE 1:10	
	MATERIAL Alloy Steel	SHEET SIZE A3	DRAWING NO. 14	1 OF 1



JARNGERDUR	TITLE Pod-Car frame Assembly			
	DESCRIPTION Pod-car frame, both parts	DATE 27/05/2014	SCALE 1:20	
	MATERIAL ALUMINIUM ALLOY	SHEET SIZE A3	DRAWING NO. 15	